

DIGISOUND Doc No BSE 128 datasheet Rev. 1 28022014

### Sounder Type A

#### Electrical and Acoustical Parameter

Rated voltage (VDC)	12/24
Operating voltage (VDC)	10-28
Current Consumption (mA, max.)	32
Starting Current (mA, max.)*	30
Frequency Tolerance (%)*	±0,15
Turn-on Time (msec)*	1,5
Synchronic Operation	automatic
SPL-Reduction (dBA, max.)*	20
Remark:	* at rated voltage

#### Results SPL (Distance 1m/max. Volume)

Ausrichtung = 0° / L (dB)						Ausrichtung = 90° / L (dB)					
15°	45°	75°	105°	135°	165°	15°	45°	75°	105°	135°	165°

#### SPL DIN tone (according to setup DIN EN54-3:2001/A1:2002)

10 V DC	80,84	87,24	89,24	89,34	87,44	80,74	80,54	87,34	89,54	89,44	87,14	80,74
28 V DC	85,14	91,24	94,14	93,74	91,64	85,74	85,64	91,54	94,24	93,74	91,54	85,84
Lmax-Lmin	4,3	4,0	4,9	4,4	4,2	5,0	5,1	4,2	4,7	4,3	4,4	5,1

#### Mechanical, Environmental Parameter

Contact / Wire	Wire terminal
Operating temperature (°C)	-40 to +80
Storage temperature (°C)	-40 to +80
Ingress Protection	IP65with deep base IP54 with shallow base , if siren is mounted flat on a surface that no water can flow into the housing
Material housing	ABS*
Color Housing	RED (RAL3001), WHITE (RAL9010)
Component weight (kg)	0,3
Remark:	* Flame Retardant ABS, POLYLAC® PA-765A, UL94 certified

Designed by	MZ	14.12.2012	Dimensions without tolerance ±0.5mm	Index: 00	Current date
Released by	CB	14.12.2012	Drawing number	<b>121214.1SH</b>	14.12.2012
Changed by					Page 1 of 7

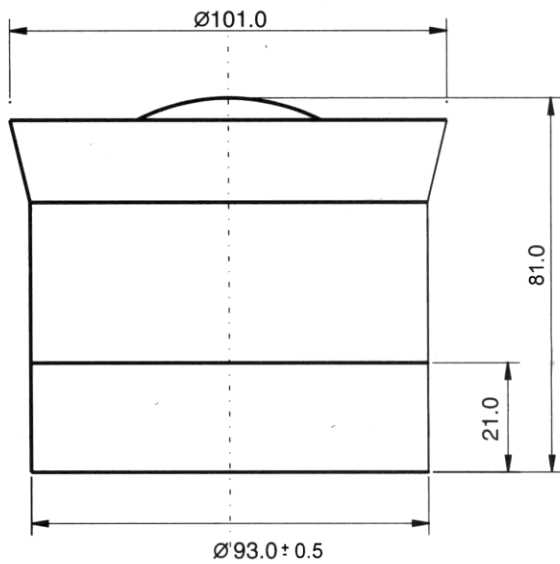
### Approval

RoHs   
 VdS

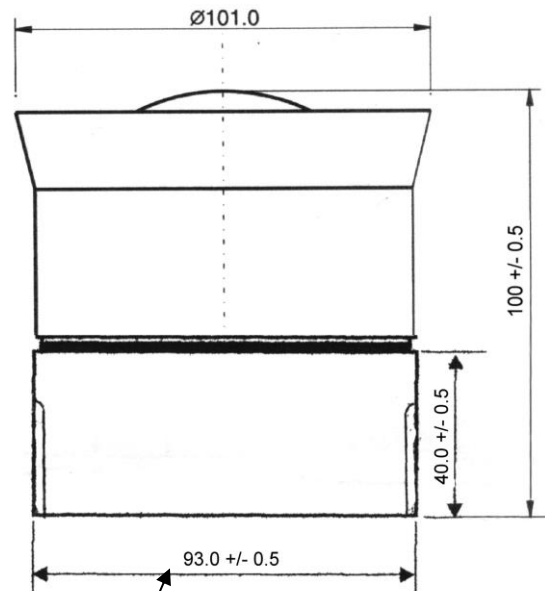
### Drawing of Components

Unit: mm

with shallow base



Standard base (deep)



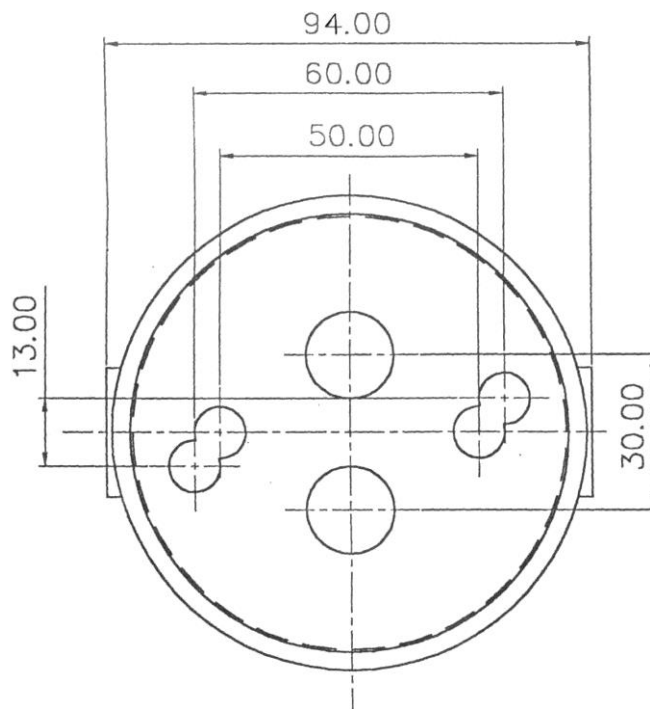
Deep-Base

Designed by	MZ	14.12.2012	Dimensions without tolerance ±0.5mm	Index: oo	Current date
Released by	CB	14.12.2012	Drawing number	<b>121214.1SH</b>	14.12.2012
Changed by					Page 2 of 7

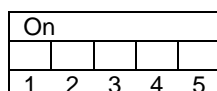


0786-CPD-20687  
VdS Nr. G200117

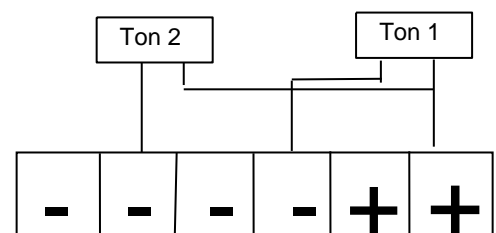
Bottom view of deep base:



**DIL-Schalter für Tonauswahl**  
**DIL-Switch for Tone-selection:**



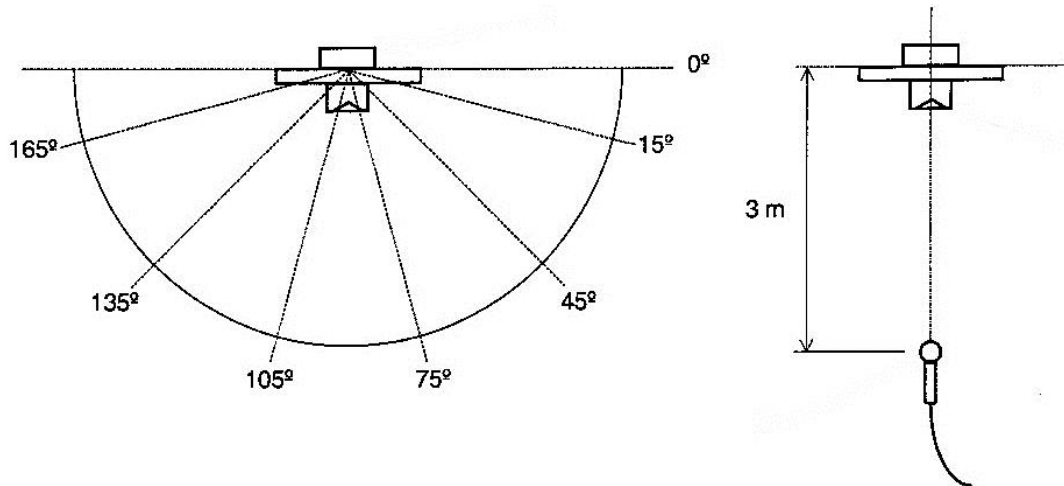
Terminalblock B/SE 128



Designed by	MZ	14.12.2012	Dimensions without tolerance $\pm 0.5\text{mm}$	Index: oo	Current date
Released by	CB	14.12.2012	Drawing number	<b>121214.1SH</b>	
Changed by					
					Page 3 of 7

## Test Method

SPL values at distance 1m are calculated from: Measurement at 3m+9,54dB  
 Measuring setup according to DIN EN54-3:2001/A1:2002 for DIN-tone (DIN 33404,Part3)  
 Siren is rotated by 90° for measurements in the vertical plane.



Setup for SPL measurement for tones 1-25, 27 and 28

Measuring distance: 3 m at angle 90°

Designed by	MZ	14.12.2012	Dimensions without tolerance ±0.5mm	Index: 00	Current date
Released by	CB	14.12.2012	Drawing number	<b>121214.1SH</b>	14.12.2012
Changed by					Page 4 of 7

## Tone table

No.	Tone	Frequency / Modulation	2 <sup>nd</sup> Tone	Code 12345	Current Cons. mA ±3mA		SPL / 90° dB/1 m ± 3dB		Current Cons. Max. 10 -28V	SPL EN-54-3 28V
					12V	24V	12V	24V		
1	Alternating tone	800/1000 (Hz) 2 Hz BS5839 Part 1:1988	21	00000	9	18	90	99	21	
2	Intermittent tone	660 Hz (1,8 sec On /1,8 sec Off)	2	00001	6	13	90	98	16	
3	Alternating tone	2400/2900 (Hz) 2 Hz	22	00010	12	25	102	113	28	
4	Intermittent tone	1000 Hz (0,5 sec On / 0,5 sec Off) Mod. 0,3Hz ISO 8201 (LF) BS5939 P.1:1988	18	00011	10	24	86	94	27	
5	Sweeping tone	2400-2900 (Hz) 7 Hz	22	00100	12	23	97	105	27	
6	Intermittent tone	660 Hz 1 Hz Swedish Alarm Tone	6	00101	8	14	90	99	17	
7	Intermittent tone	1000 Hz - 0,25 sec On/1 sec Off BS5839 Part 1:1988	21	00110	7	11	83	93	14	
8	Sweeping tone	800/1000 (Hz) 1 Hz Medium Sweep (LF) BS5839 Part 1:1988	21	01000	9	16	94	101	20	
9	Continuous tone	660 Hz Swedish Alarm Tone	9	01001	8	13	90	99	16	
10	Alternating tone	800/1000 (Hz) 1 Hz BS5839 Part 1:1988	21	01010	9	17	91	97	20	
11	Sweeping tone	1400 – 2000 Hz 10 Hz	11	01011	13	26	93	101	29	
12	Slow whoop	500-1200 (Hz) 0,5 sec	21	01100	9	15	92	100	18	
13	Sweeping tone	800/1000 (Hz) 50 Hz Fast Sweep (LF)	21	01101	9	15	90	98	18	
14	Intermittent tone	554 Hz/100 ms + 400 Hz/400 ms French Fire Sound	21	01110	7	12	87	95	15	
15	Sweeping tone	800/1000 (Hz) 7 Hz Fast Sweep (LF) BS5839	21	10000	9	15	91	99	18	
16	Intermittent tone	660 Hz (6,5 sec On /13 sec Off) Swedish Alarm Tone	16	10001	7	12	89	98	15	
17	Intermittent tone	1000 Hz 1 Hz Back-up Alarm (LF) BS5839 Part 1:1988	21	10010	9	15	85	97	18	
18	Intermittent tone	2900 Hz (0,5 sec On /0,5 sec Off) Mod.: 0,3Hz ISO 8201 (HF) BS5839 P.1:1988	4	10011	14	25	103	115	28	
19	Sweeping tone	2400-2900 (Hz) 1 Hz	22	10100	11	22	99	104	26	
20	Intermittent tone	2900 Hz - 150 ms On /100 ms Off Pelican Crossing	21	10101	10	25	102	110	28	
21	Continuous tone	1000 Hz BS5839 Part 1:1988	21	10110	9	18	87	91	21	
22	Continuous tone	2900 (Hz)	21	11000	14	27	104	111	32	
23	Alternating tone	554/440 (Hz) 1 Hz Swedish Alarm Tone	23	11001	7	13	89	95	16	
24	Intermittent tone	2900 Hz 1 Hz Back-up Alarm(HF)	22	11010	13	23	103	111	26	
25	Alternating tone	800/1000 (Hz) 2 Hz BS5839 Part 1:1988	22	11011	9	15	90	97	18	
26*	Sweeping tone	1200-500 (Hz) 1 Hz DIN33404, Part 3	21	11100	8	16	90	98	19	92
27	Sweeping tone	2400-2900 (Hz) 50 Hz	22	11101	12	22	98	108	25	
28	Intermittent tone	660 Hz (150 ms On / 150 ms Off)	28	11110	4	9	88	96	12	

Designed by	MZ	14.12.2012	Dimensions without tolerance ±0,5mm	Index: oo	Current date
Released by	CB	14.12.2012	Drawing number <b>121214.1SH</b>		14.12.2012
Changed by					

Ton-No.	Code	Frequency /Hz	Signal
1	0000	1000 800	
2	00001	660	
3	00010	2900 2400	
4	00011	1000	
5	00100	2900 2400	
6	00101	660	
7	00110	1000	
8	01000	1000 800	
9	01001	660	
10	01010	1000 800	
11	01011	1400 2000	
12	01100	1200 500	
13	01101	1000 800	
14	01110	554 440	
15	10000	1000 800	
16	10001	660	
17	10010	1000	
18	10011	2900	
19	10100	2900 2400	
20	10101	2900	
21	10110	1000	
22	11000	2900	
23	11001	554 440	
24	11010	2900	
25	11011	1000 800	
26	11100	1200 500	
27	11101	2900 2400	
28	11110	660	

## Reliability Test

Defined by EN 54-3.

## Packaging Information

Corner box 200x 125x114 with label.

## Revision Table

Index Nr.	Date Reason - Procedure Change description	Drawing Date	implementation	Comments
			LS-Nr.: Date	

Designed by	MZ	14.12.2012	Dimensions without tolerance ±0.5mm	Index: 00	Current date
Released by	CB	14.12.2012	Drawing number <b>121214.1SH</b>		14.12.2012
Changed by					Page 7 of 7